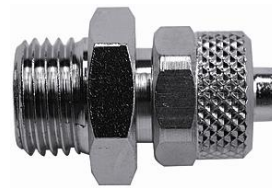
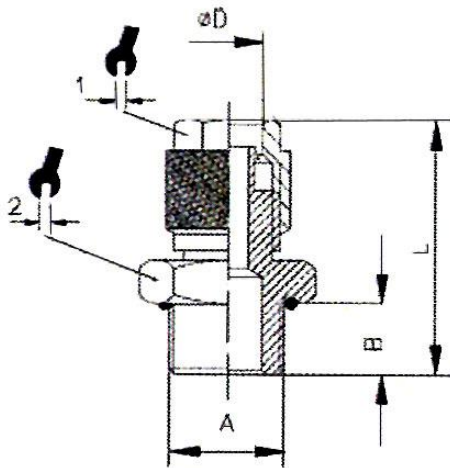


Material	Nickel-plated brass
Max. operating pressure	18 bar
Operating temperature	-20 °C to 80 °C
Suitable hose materials	PA, PE, PU



11.114-8-E

## Male connector, parallel male thread

Art. No.	Type No.	ØD	G	B	L	1	2	O-ring
114743	11.105-5-E	5/3	M5	4.0	21.0	8	8	NBR
114744	11.105-6-E	6/4	M5	4.0	21.0	9	8	NBR
114749	11.118-5-E	5/3	G 1/8	6.0	23.0	8	14	NBR
114750	11.118-6-E	6/4	G 1/8	6.0	25.5	12	13	NBR
114751	11.118-8-E	8/6	G 1/8	6.0	25.5	14	14	NBR
114748	11.118-10-E	10/8	G 1/8	6.0	27.5	16	14	NBR
114746	11.114-6-E	6/4	G 1/4	8.0	28.0	12	16	NBR
114747	11.114-8-E	8/6	G 1/4	8.0	28.0	14	16	NBR
114745	11.114-10-E	10/8	G 1/4	8.0	29.5	16	16	NBR
114754	11.138-6-E	6/4	G 3/8	9.0	29.0	12	19	NBR
114755	11.138-8-E	8/6	G 3/8	9.0	29.0	14	19	NBR
114752	11.138-10-E	10/8	G 3/8	9.0	30.5	16	19	NBR
114753	11.138-12-E	12/10	G 3/8	9.0	32.0	18	19	NBR